

# MASSAGE CHAIR



【 PRODUCT MANUAL 】

The company reserves the right to improve the products and instructions, and is subject to change without notice. The appearance of the products is subject to the physical objects; This volume has been carefully checked, but it does not rule out that there may be printing errors, omissions or misunderstandings in the content. Please understand and our company reserves the right to interpret.

♻️ Improper disposal of waste will cause environmental pollution

# WELCOME

Thank you for purchasing our massage chair. In order to better use this product, please read the instructions carefully before using this product and keep it properly for future use.

This massage chair is designed with ergonomics to massage the back, waist, hips, legs, arms and other parts. It has a variety of massage methods, warm feeling hot compress, air bag squeeze massage and other functions. It is a high-end massage chair with luxury enjoyment.

Massage chair will open up every day of relaxed life for you.  
Have a good time!

## After sales warranty card

### Warranty card

One year warranty with this card

**Subscriber Union**

Purchase Account: \_\_\_\_\_

Order No.: \_\_\_\_\_

Product Name: \_\_\_\_\_ Model: \_\_\_\_\_

Shop: \_\_\_\_\_

Date Of Purchase: \_\_\_\_\_ Price: \_\_\_\_\_

User Name: \_\_\_\_\_

Contact Number: \_\_\_\_\_

Postal Address: \_\_\_\_\_

\_\_\_\_\_

### Warranty card

One year warranty with this card

**Saved By Company**

Purchase Account: \_\_\_\_\_

Order No.: \_\_\_\_\_

Product Name: \_\_\_\_\_ Model: \_\_\_\_\_

Shop: \_\_\_\_\_

Date Of Purchase: \_\_\_\_\_ Price: \_\_\_\_\_

User Name: \_\_\_\_\_

Contact Number: \_\_\_\_\_

Postal Address: \_\_\_\_\_

\_\_\_\_\_

### Certificate


Product Name: Message chair Inspection results: Qualified

Inspector number: \_\_\_\_\_ Date of manufacture: \_\_\_\_\_

Maintenance records:

Maintenance date	Failure condition	Maintenance location	Maintenance result

## Environmental protection list

The name of the part	Name and content of harmful substances in the product					
	lead (Pb)	mercury (Hg)	cadmium (Cd)	Six prices (Cr(VI))	PBBs (PBB)	PBDEs (PBDE)
Electronic parts	✗	○	○	○	○	○
Hardware	○	○	○	○	○	○
Plastic parts	○	○	○	○	○	○
Packaging parts	○	○	○	○	○	○
<p>This form is prepared in accordance with SJ/T11364.</p> <p>○ : It means that the content of the harmful substance in all homogeneous materials of the component is below the limit specified in GB/T 26572.</p> <p>✗ : indicates that the content of the hazardous substance in at least one homogeneous material of the component exceeds the limit specified in GB/T 26572.</p> <p>Note: The content of harmful substances in the products publicized in this table does not include batteries that need to be replaced regularly.</p>						
 <p>Under the normal use conditions described in this manual, the environmental protection service life of this product is 10 years. It can be used safely within the environmental protection service life. After the environmental protection service life is exceeded, it should enter the recycling system.</p>						

## Catalogue

Important safety instructions .....	01
Safety matters .....	02
Position diagram/product parameters .....	04
Instructions before use .....	05
Manual controller operating instructions .....	07
Central control operating instructions .....	09
Routine maintenance/breakdown and repair .....	10
Environmental protection list .....	11
After sales warranty card/certificate .....	12

## Important safety instructions

Please read all the instructions before using this product.

To reduce the risk of fire, burn, electric shock or injury to others, follow the instructions below:

- 1) Do not use power supply other than AC 220V.
- 2) When no one is using the machine, be sure to unplug the power plug of the electrical server from the socket. When the machine is not used daily or before the device/parts are disassembled, be sure to unplug the power plug from the socket in time.
- 3) To avoid fire, electric shock or injury caused by overheating, do not put the product under pillows, blankets or other covers for operation.
- 4) If the product is used or close to children, people with physical and mental disorders and disabilities need to be supervised and guided by adult guardians.
- 5) Please be sure to use this product according to the purpose described in the user manual. Do not use parts not recommended by the manufacturer.
- 6) Please do not use this product when the following conditions occur: the power cord or plug of the power supply hand is damaged, the operation is abnormal, the product has fallen to the ground or other damages, and the product has fallen to the water. Please return the product to the maintenance service center for inspection and repair.
- 7) Do not drag the power cord to move the product, or use the power cord as a grip.
- 8) The power cord must be kept at a safe distance from the heating surface.
- 9) Do not operate this product when the air outlet is blocked. Please keep the air outlet unblocked to avoid being blocked by cotton dust, hair and other objects.
- 10) Do not insert or drop objects into any openings in the product.
- 11) Do not use this product outdoors.
- 12) Do not operate this product in places where spray products are used or oxygen is full.
- 13) Cut off the power supply. Please turn off all operation controls before unplugging the power plug from the socket.
- 14) Please be sure to supervise and confirm that children do not use the massage chair as an amusement device to ensure its safety.

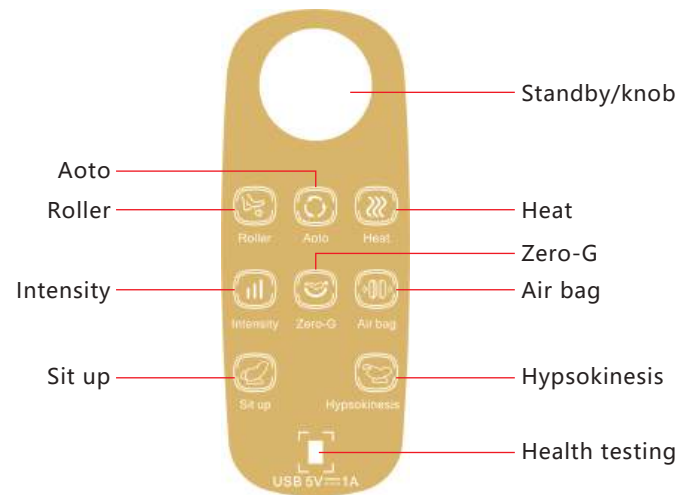
## Daily maintenance

- ① For daily cleaning, please use neutral detergent and soft cloth to wipe, and do not use corrosive detergent.
- ② If the power cord is damaged, it must be replaced by the full-time personnel of the manufacturer's designated maintenance shop to avoid danger.
- ③ Please unplug the power supply when not using this product or when cleaning to avoid danger.
- ④ Do not use any sharp objects to cut the product surface.
- ⑤ Do not put the product in a damp and bad environment, but in a dry and ventilated place.
- ⑥ Do not apply strong pressure or force on the product.

## Faults and maintenance

Fault phenomenon	Possible causes	Processing method
Sound (Running sound) * Inflation sound of airbag * Airbag bleeding sound * Solenoid valve switching sound * Working sound of air pump	Occurs when the product is working Sound of mechanical operation	This sound is normal, No need to handle.
Overall, it doesn't work at all	The power plug is not plugged into the socket The socket switch is not turned on Massage button not pressed	Check the power plug and socket, and ensure that the plug is in good contact with the socket, press and massage button
Massage in progress Stop suddenly	This product has just completed 15 minutes of rated work time, and automatically switch to standby mode  Over rated service time, motor overheating protection	If you want to massage again, please press the ON key. Enable massage function  Shut down, cut off the power supply and wait for the motor to cool down later use

## Central control operating instructions



1. Standby button: Press the knob to turn on/off the massage function of the entire machine.
2. Roller key: Press to turn the foot roller on or off.
3. Auto key: Turn on the automatic program selection function and switch between automatic programs by turning the knob left or right.
4. Heating button: Press to turn on or off the heating function.
5. Strength key: Turn on the strength adjustment function and adjust the massage intensity by turning the knob left or right.
6. Zero gravity key: Press to turn on or off the zero gravity function.
7. Airbag button: Turn on the air pressure adjustment function and adjust the gear of the massage air pressure by turning the knob left or right
8. Sit up button: Long press to control the backrest of the massage chair to rise.
9. Tilt back button: Long press to control the backrest of the massage chair to lower.
- 10.10. Health testing: Gently place your fingers for 1 minute to test blood oxygen, heart rate, diastolic blood pressure, and systolic blood pressure. The values displayed in the lower left corner of the LCD screen are for reference only and cannot be used as medical testing data due to various environmental factors

## Safety matters

### 1. Safety matters

- \* Please do not use the massager in an excessively humid or dusty environment to avoid electric shock or mechanical failure.
- \* Do not use the massager where the room temperature exceeds 40 °C.
- \* Do not place the massager near the electric heater, stove or direct sunlight.
- \* The massager is designed for personal use and is not suitable for any commercial use.

### Look out

- \* Massager is only for indoor use.
- \* Use the massager at low room temperature, and do not suddenly increase the temperature. It is recommended to gradually adjust the temperature to the normal range before use.
- \* If the massager is moved from a low-temperature storage place to a warm environment for use, the normal operation of the machine may be affected due to the moisture accumulation in the machine parts, or even the machine parts may fail.

### 2. Matters for safe use

- \* To ensure the safety and correct use of the massager, please refer to the operation manual carefully before use.
- \* If the cloth cover of the massager is damaged, do not use it.
- \* To avoid reducing the massage effect or causing injury, please do not use the massager together with other effective equipment such as electric blanket.
- \* Do not use the massager within 1 hour after eating to avoid adverse effects.
- \* Do not use the massager when your hands or other parts of your body are wet.

## Safety matters

- \* Do not insert any articles or inflammable articles into the massager. This may cause electric shock, malfunction or fire.
- \* If you feel any discomfort during the massage, please stop the operation immediately.
- \* When using, do not cover the massager, so as to avoid failure or fire caused by excessive temperature.
- \* This product is not used for self diagnosis or treatment: if diagnosis or treatment is needed, it should be handled by professional medical personnel.
- \* For those who are receiving drugs or medical conditions, please consult a doctor before use. Do not use this product if you feel unwell or are pregnant.
- \* If you are pregnant or in your physiological period, please consult your doctor first and follow his advice.
- \* It is recommended to use it twice a day for 15~30 minutes each time. If not, please turn off the power of the massage chair. Before using again, please make sure that the massager has been unplugged for more than 10 minutes. If it is used continuously for a long time, the overheating protection device may be started and the power will be cut off automatically.
- \* The surface of the appliance is hot, and people who are not sensitive to heat must pay attention when using it.

### look out

- \* Please avoid using the massager after drinking or when you are unwell.
- \* Do not directly massage the head, elbow joint, knee, chest, abdomen, etc.
- \* When spilling or dumping liquid on the massager, please immediately remove the power plug from the socket. Do not plug or unplug the power plug when your hands are wet.
- \* Do not damage the power cord or operate the massager when the power cord is damaged, which may cause accidental electric shock or mechanical failure.

### The condition that massager is not suitable for use

**In case of the following conditions, please turn off the switch immediately, cut off the power supply and contact our company.**

- \* If you accidentally spill water on the massager, it may cause electric shock.
- \* The cloth cover of the massager is damaged, and the internal parts are exposed.
- \* If abnormal or severe pain occurs during massage, please stop the massage immediately and seek medical advice.
- \* If you find any malfunction or abnormal condition of the machine during use, please stop using it immediately.
- \* In case of current interruption during use, care shall be taken to avoid user injury due to sudden power recovery.
- \* When lightning occurs.



Standby key: press this key to turn on/off the whole machine massage function.

When the power is turned on, press this key to massage the chair line to the initial angle, and the body detection will be carried out automatically. After completion, the first automatic program "Leisure Mode" will run by default, and the default working time is 15 minutes. Press this key again, and then turn off all functions of the massage chair after 20 seconds of standby.

Automatic mode program selection key: according to your body state and massage time, you can select "kneading mode", "massage mode", "powerful mode", "leisure mode" and "sleep mode", and any of the five massage programs can be used for targeted massage. (See the description of LCD screen for details)



Pressure AUTO key: press this key to open or close the whole airbag.



Pressure Intensity key: Press this key to open the pneumatic force adjustment.



Shoulder arm airbag key: press this key to turn on or off the shoulder arm airbag.



Seat/Head Airbag key: press this key to turn on or off the seat cushion head airbag.



Leg airbag key: press this key to open or close the leg airbag.



Manual key: each time you press the "Manual" key, you can select kneading, hammering, patting, finger pressing, kneading hammer, kneading pat massage.



Zero key: press this key to make the massage chair in zero gravity state.



Speed+ key: In the manual mode, open the kneading or massage function and press this key to control the increase of kneading or massage speed. (The third gear is adjustable)



Speed- key: In the manual mode, open the kneading or massage function and press this key to control the reduction of kneading or massage speed. (The third gear is adjustable)



Buttocks Feet key: press this key to turn on or off the foot kneading massage.



Feet speed key: When the foot kneading massage is started, press this key to adjust the foot kneading speed.



Heating key: press this key to start the heating function.



Timing key: press this key to select six time adjustment modes: "5min", "10min", "15min", "20min", "25min" and "30min".



Rise key: press this key, the legs begin to slowly fall, and the back starts to slowly rise; When the angle is in place, release this key to lock it.



Drop key: press this key, the legs start to rise slowly, and the back starts to fall slowly; When the angle is in place, release this key to lock it.

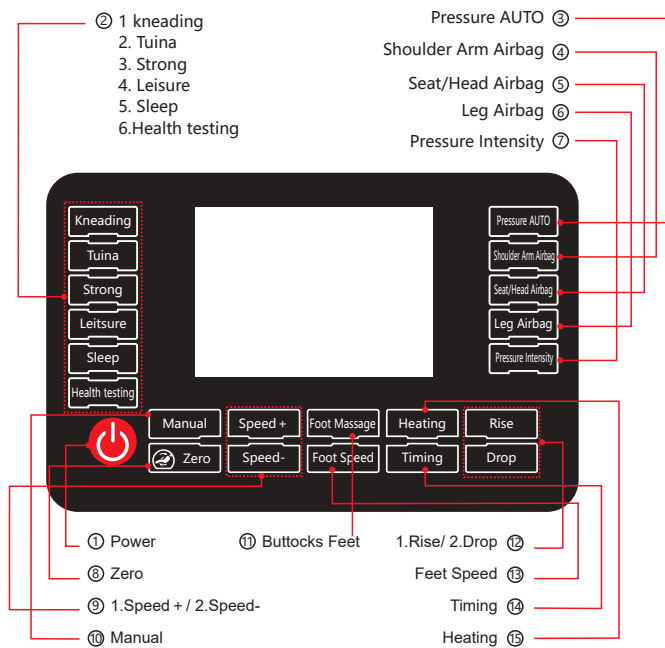


Health check button: Press this button to activate the health check function of the central control position. If you need to check again, you need to press the health check button again to check again.

Bluetooth music

This section has a music playing function. You can use Bluetooth to connect your mobile phone to this device, and then use this device to play music by operating your music player. Bluetooth name is "AMY-888", Bluetooth password: 8888

## Manual controller operating instructions



### Reminder:

After using the massage chair, please turn off the product power switch in time and unplug the product power plug.

## Schematic Diagram of Parts



(Products mainly focus on physical objects)

## Product parameters

Product Name	Massage chair
Rated Voltage	110V~
Rated Frequency	50Hz
Rated Power	90W
Rated Working Time	15min
Security Category	Class I
Executive Standards	GB4706.1-2005 GB4706.10-2008

## Instructions before use

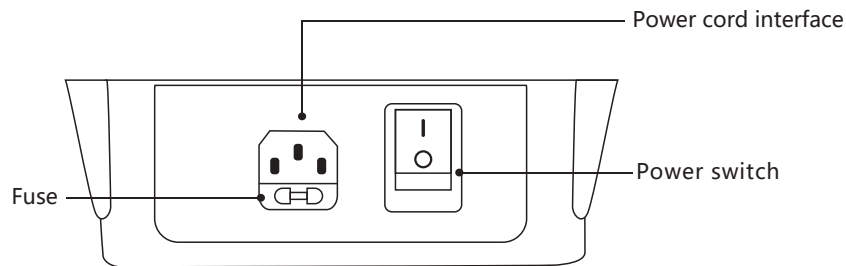
### ① Unpacking and installation

This model is packaged in one package.

After unpacking, carefully remove the massage chair. This model is packaged as a whole, without installation. (Only need to plug in the power cord to use)

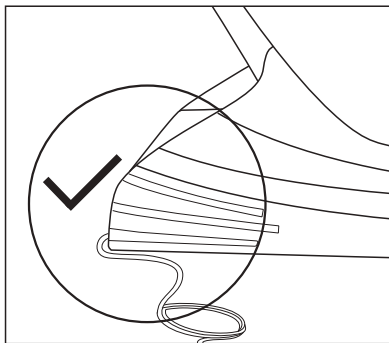
### ② Preparation before use

After unpacking the packing box, find the master switch on the back side of the massage chair, connect the power cord, turn on the switch, and the massage is ready.

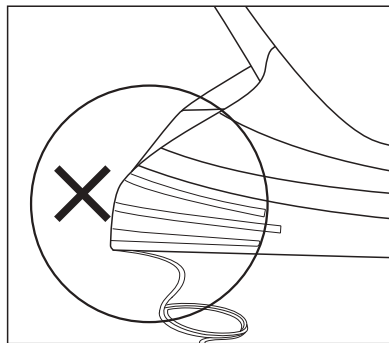


### ③ Placement of massage chairs

1. Do not place the power cord under the electric cabinet of the massage chair. (As shown in Figure 01/02)



Correct (Figure 01)



Error (Figure 02)

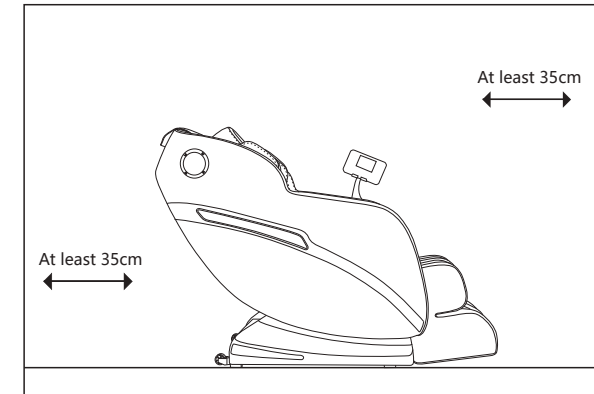
2. Make sure to leave proper space around the massage chair when preparing for massage (as shown in Figure 03)

The place where the massage chair is placed should have enough space for the chair back to recline and the foot rest to rise.

Make sure there is at least 35cm space behind the massage chair and at least 35cm space in front of it.

Ensure that there are no obstacles and people in front of and behind the massage chair.

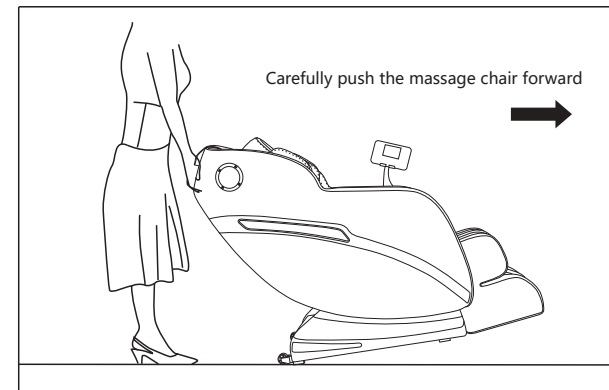
To prevent the ground from being damaged, please place a carpet under the massage chair to avoid damaging the ground.



(Figure 03)

### ④ Movement of massage chair

Press the backrest with both hands to tilt the chair back about 45°, and carefully push the massage chair forward or backward with the casters until it is put down at an appropriate position. (As shown in Figure 04)



(Figure 04)